

STRIPE ARC
by
bürotime

technical document





“Stripe Arc is the result of a completely innovative point of view. While designing the Stripe operational series, I dreamt of a series that while emphasizing the hierarchical status of executives, it also treats employees equally. This way, the Stripe operational family embodied a structure that provides a transparent workspace for everyone.”

Murat Erciyas



The Stripe Arc product family, which combines engineering and aesthetics in its design details, creates an unity in offices.

EXECUTIVE

The Stripe Arc executive desk, with its rounded elegant lines, is the choice of executives who want to create harmonious and customizable spaces within the office. With its rectangular or “L” shaped wide work surface, it creates an orderly and organized workspace.



OPERATIONAL

With its rounded elegant lines, the Stripe Arc operational desk is designed to provide the best layout regardless of the number of employees and the shape of the workspace. Its structure, which allows for numerous combinations, helps employees design “unique” offices according to their own choices.



MEETING

The Stripe Arc meeting table, with its rounded elegant lines and triangular, round, square, rectangular and oval form options suitable for the environment in which it will be used, helps you make solution-oriented decisions by maximizing your productivity.



product family _____

executive desk



four-legged executive desk



three-legged executive desk

100x180 / 100x200 / 100x220 (cm)



"L" shaped executive desk



"L" shaped three-legged executive desk

185x180 / 185x200 / 185x220 (cm)

product family _____

desk



four-legged desk



three-legged desk



two-legged desk

70x120 / 70x140 / 70x160 / 80x140 / 80x160 / 80x180 (cm)



"D" desk



three-legged "D" desk

140x140 (cm)



"V" desk



three-legged desk "V" desk

135x180 (cm)

product family _____

workstation



two-top workstation



four-top workstation



six-top workstation

70x120 / 70x140 / 70x160 / 80x140 / 80x160 (cm)



two-top workstation on pedestal



mid-extended two-top workstation on pedestal

70x120 / 70x140 / 70x160 / 80x140 / 80x160 (cm)



"D" shaped two-top workstation



mid-extended "D" shaped two-top workstation

140x140 (cm)

product family _____

workstation



"V" shaped two-top workstation



mid-extended "V" shaped two-top workstation

120x120 (cm)



side table top



two-legged side table

63x80 (cm)

storage



side cabinet / two doors



side cabinet / three drawers



side cabinet / six drawers

60x90 (cm)



side cabinet / three drawers – one door

52x132 (cm)

product family

meeting table



triangle meeting table
T100



circular meeting table
R90



circular meeting table
R110



square meeting table
120x120 (cm)



rectangular meeting table
100x200 / 120x240 (cm)



rectangular meeting table
140x280 / 160x320 (cm)



oval meeting table
100x220 (cm)



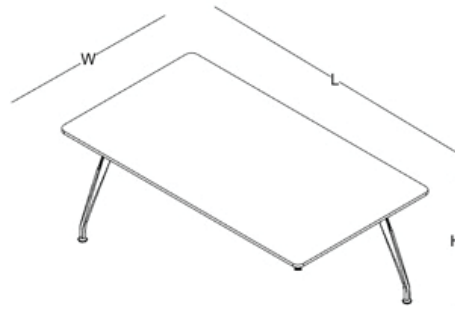
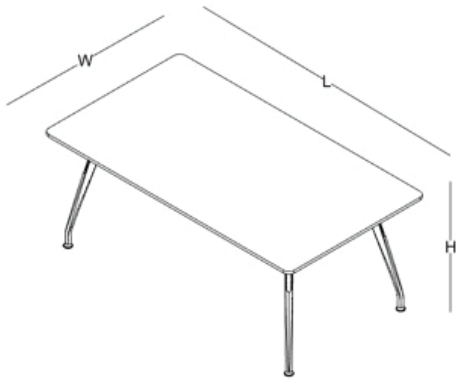
oval meeting table
140x320 (cm)



oval meeting table
160x520 (cm)

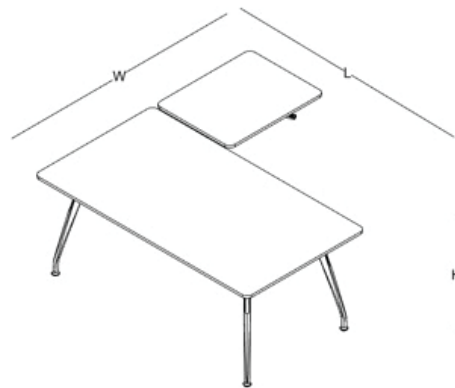
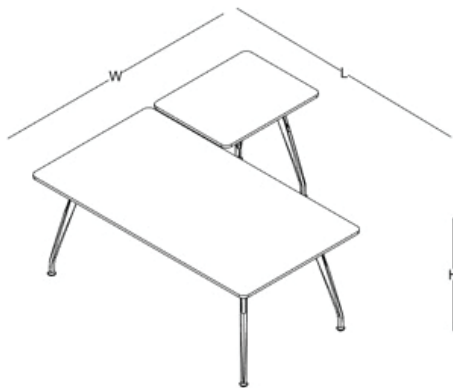
size chart

executive desk



W: 100
L: 180 / 200 / 220

H: 72



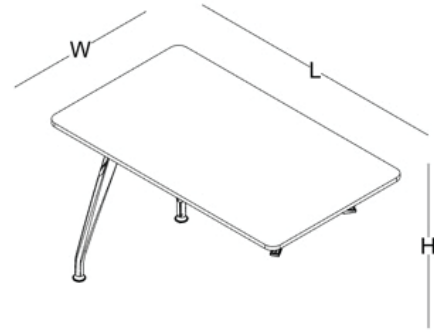
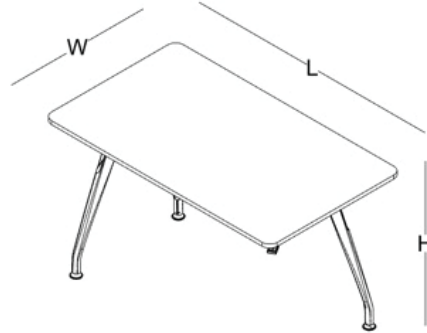
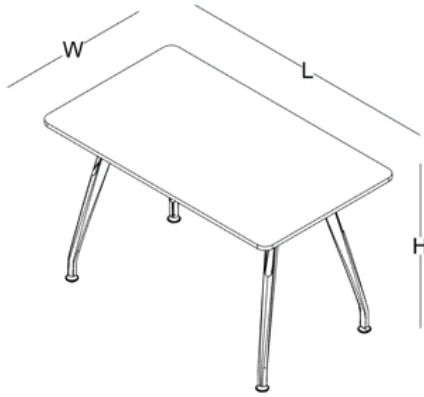
W: 185
L: 180 / 200 / 220

size chart

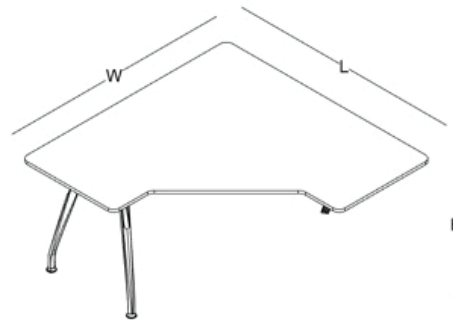
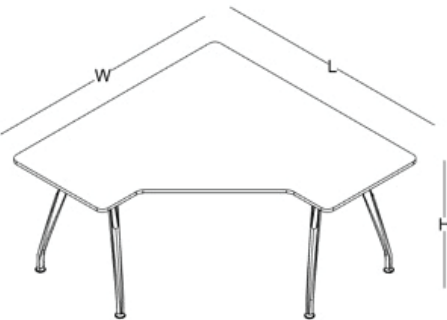
desk

W: 70
L: 120 / 140 / 160

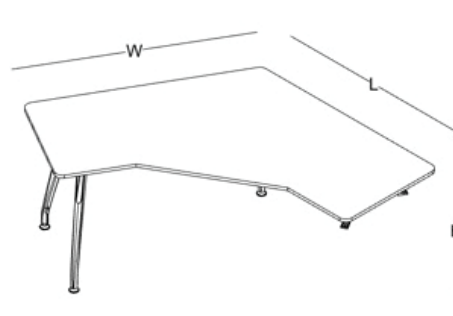
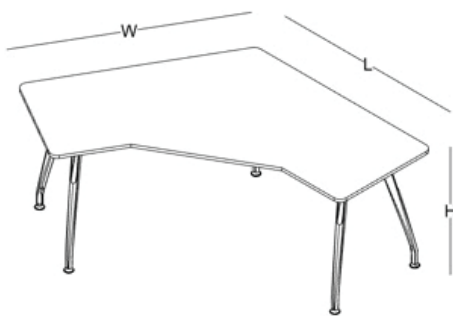
W: 80
L: 140 / 160 / 180



H: 72



W: 140
L: 140



W: 135
L: 180

size chart

workstation

W: 145
L: 120 / 140 / 160

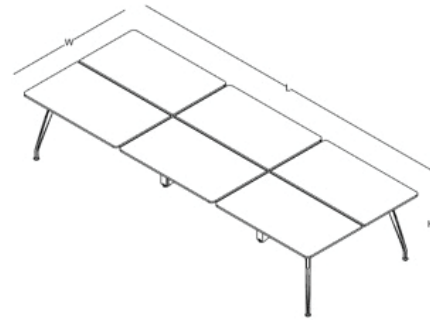
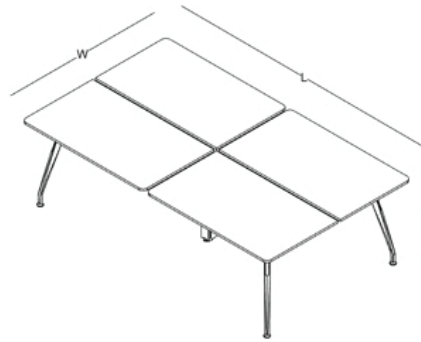
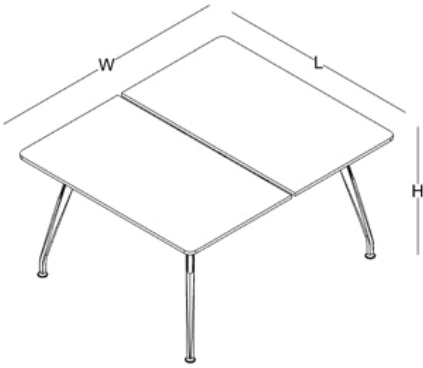
W: 145
L: 245 / 285 / 325

W: 145
L: 370 / 430 / 490

W: 165
L: 140 / 160

W: 165
L: 285 / 325

W: 165
L: 430 / 490



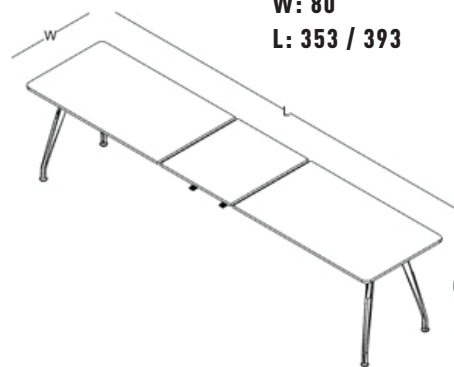
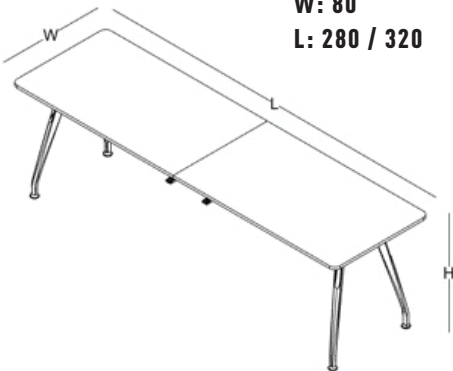
W: 70
L: 240 / 280 / 320

W: 70
L: 313 / 353 / 393

W: 80
L: 280 / 320

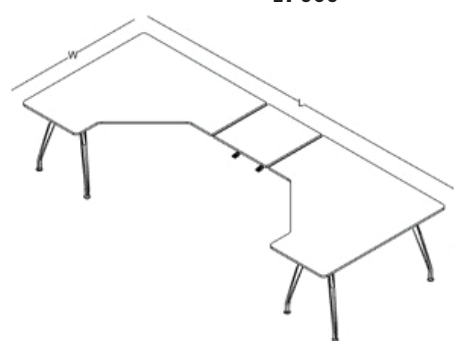
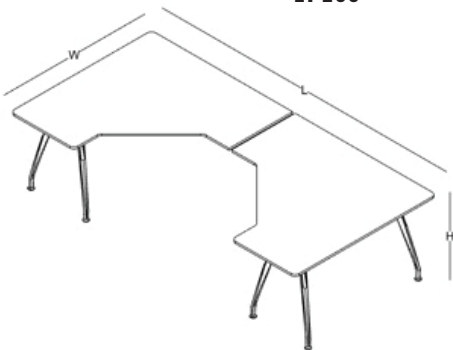
W: 80
L: 353 / 393

H: 72



W: 140
L: 285

W: 140
L: 353



size chart

H: 72

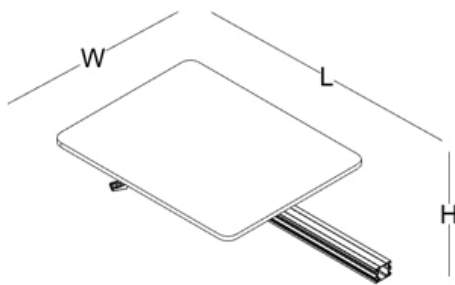


W: 135
L: 365

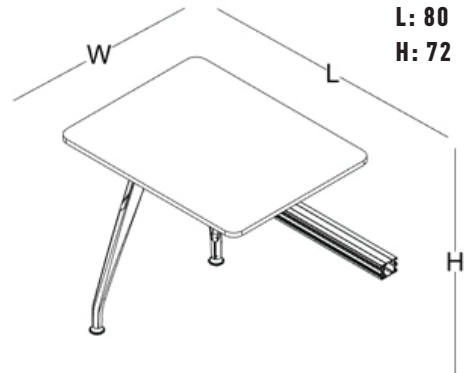


W: 135
L: 433

side table top



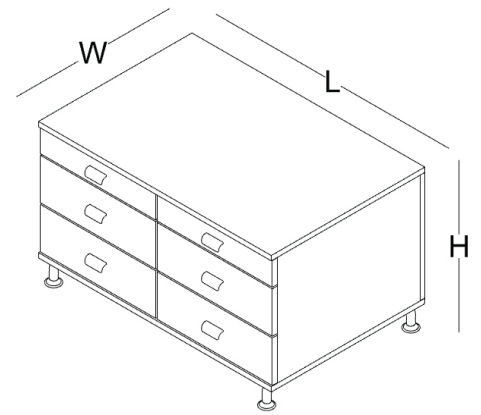
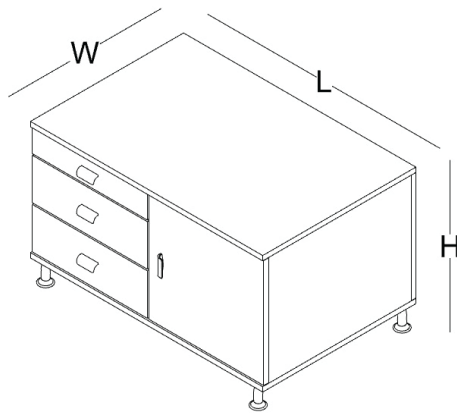
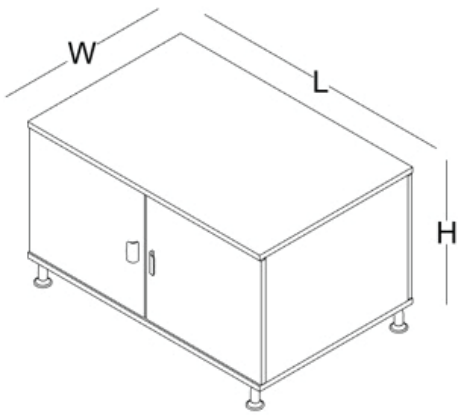
W: 63
L: 80
H: 16



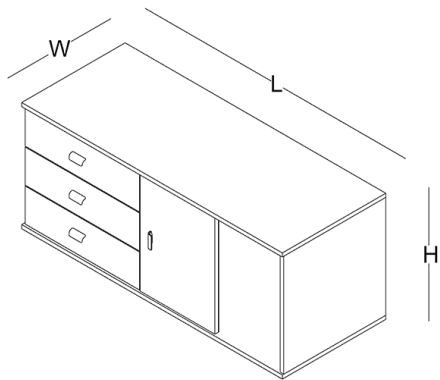
W: 63
L: 80
H: 72

size chart

side cabinet



W: 60 L: 90 H: 56

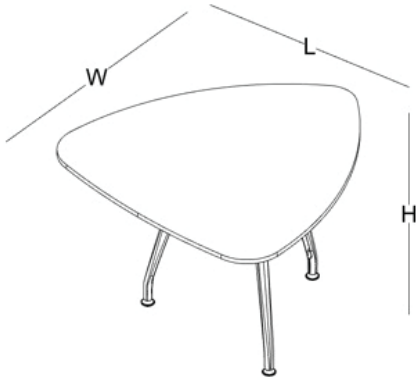


W: 52 L: 132 H: 56

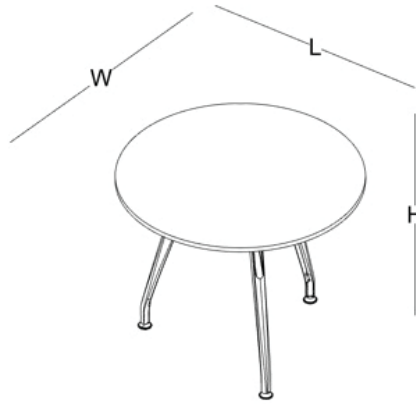
size chart

meeting table

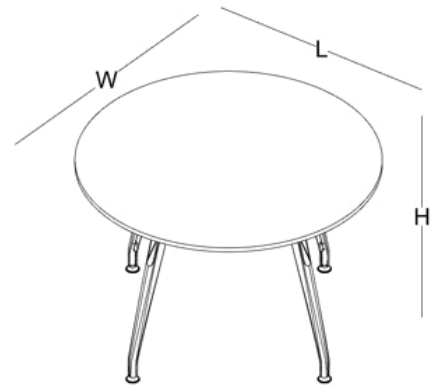
W: 93
L: 96



W: 90
L: 90



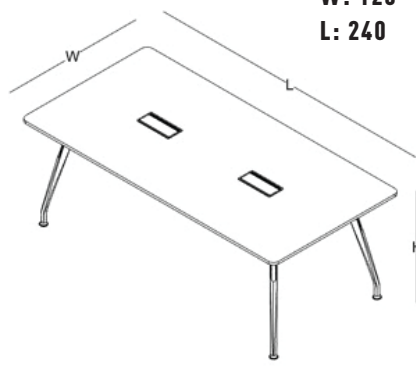
W: 110
L: 110



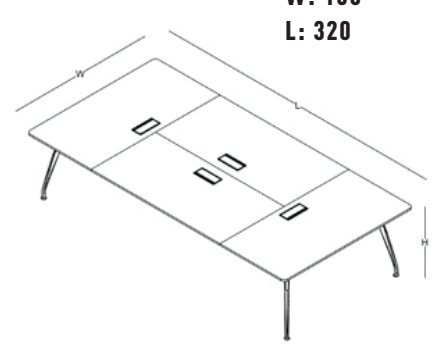
W: 120
L: 120



W: 100
L: 200



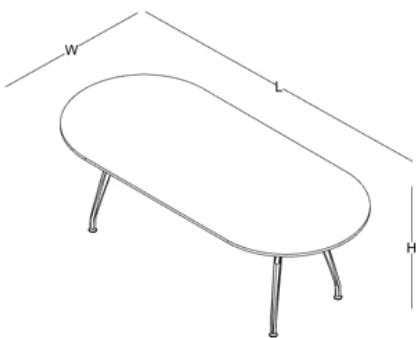
W: 140
L: 280



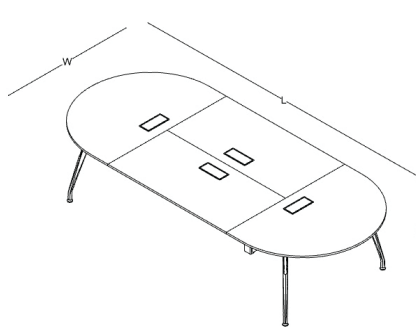
W: 120
L: 240

W: 160
L: 320

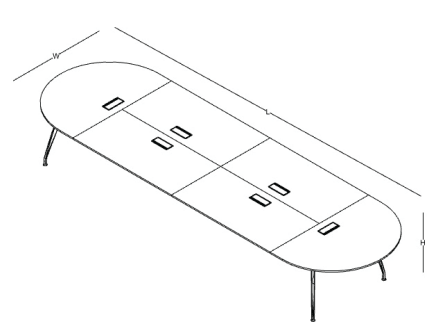
W: 100
L: 220



W: 140
L: 320



W: 160
L: 520



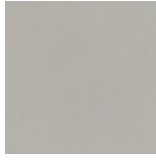
H: 72

color options

melamin - table top / modesty panel / *body



*white



*sand



ash oak



oleaster



acacia



samba walnut



*anthracite



hazelnut



*grey



doğal meşe



afrika meşe

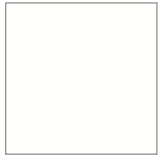


ontario



*black

softpan - table top / modesty panel / body



white



ivory



anthracite



black

metal - legs



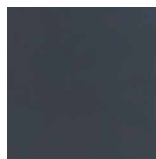
white



grey



sand



anthracite



black